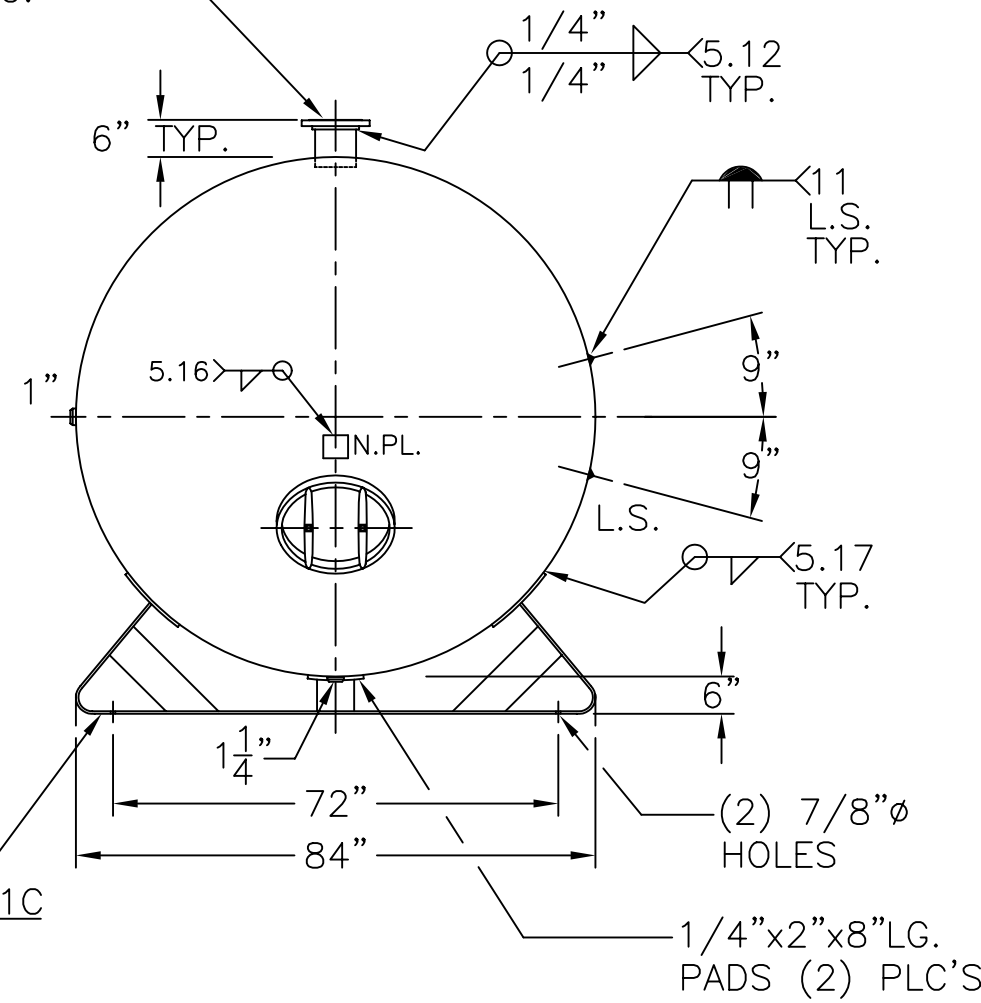
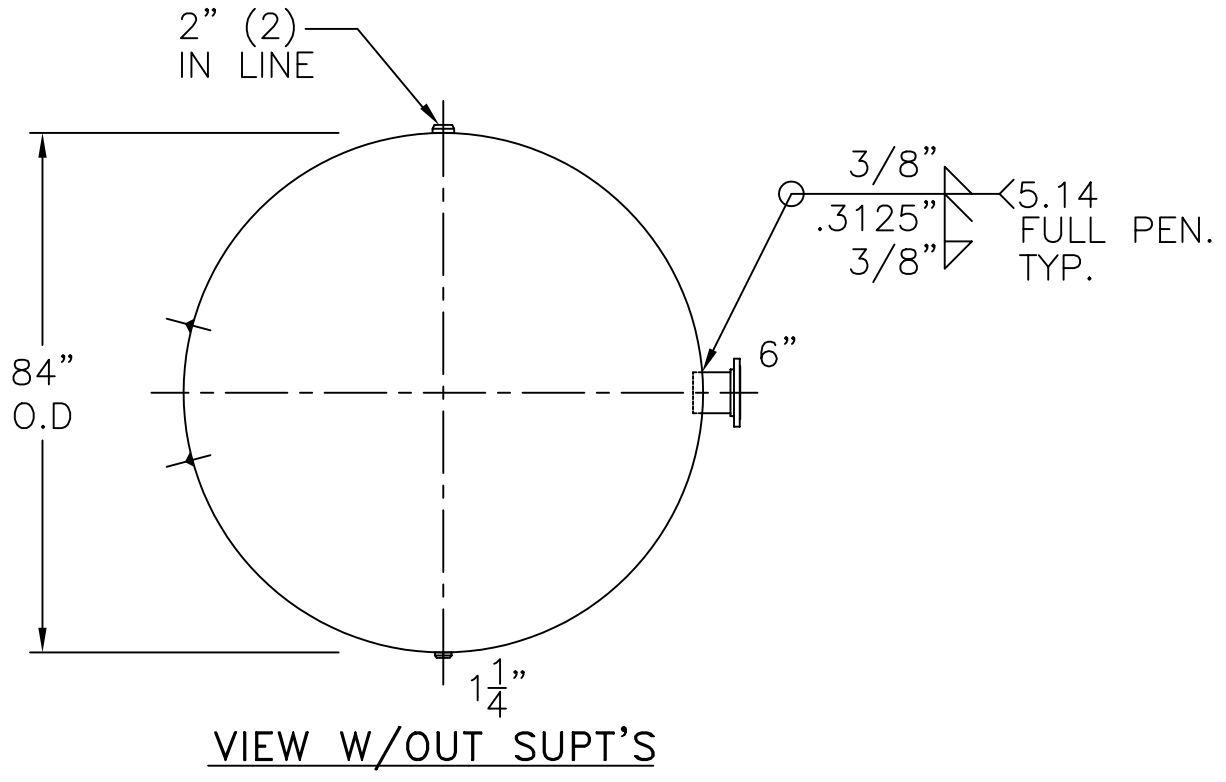


6"-150# R.F.S.O. FLG. W/SCH 80 PIPE x 7 5/8" LG. (2) PLC'S



SUPPORT PER: 84-HP-5000-W-1C



NOTE: 1) HYDRO @ 199 PSIG. MIN.

HEADS	LEFT - .375" SA-455 2:1 S.E.	84-HP-5000-W	REV. 4-25-05
	(.300" MIN.)		DATE: 7/16/01
	RIGHT - .375" SA-455 2:1 S.E.		FOR: HANSON STANDARD
	(.333" MIN.)		HORIZ. AIR TANK.
SHELL	.3125" SA-455		INSIDE: UNPAINTED
			OUTSIDE: PRIME
	M.A.W.P. 150 PSIG. @ 400 °F		CAD-"B" SIZE UNDER "STD"-SERIES
	M.D.M.T. -20 °F 150 PSIG		BY: J.G. SCALE: 3/8"=12"
	ASME. SECTION VIII DIV. 1, 2004 ADD 2004		ROY E. HANSON JR. MFG.
	X-RAY: RT-2 100% L.S. & SPOT ALL G.S.		1924 COMPTON AVE.
	GALLONS: 5000 WT. 7451 LBS.		LOS ANGELES, CA 90011
	SERIAL NO.		
	N.B.		