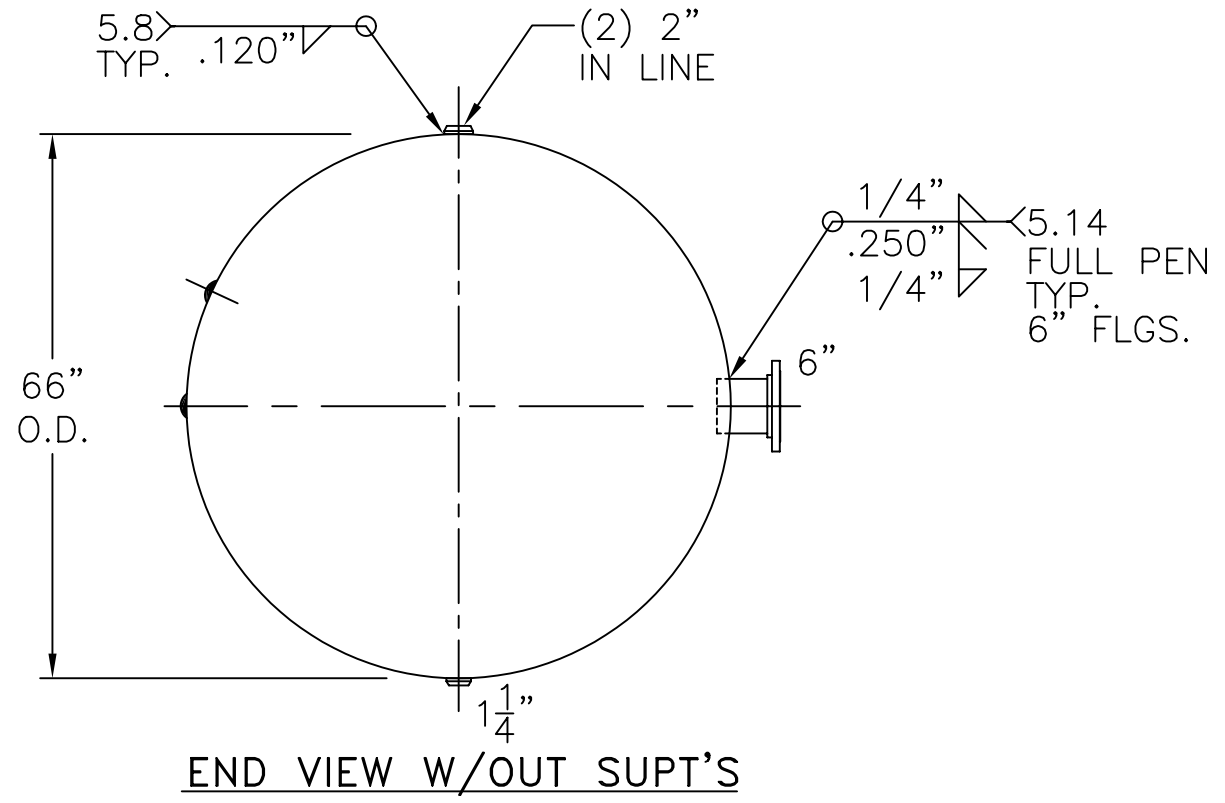


NOTE: 1) HYDRO @ 182 PSIG. MIN.



HEADS	LEFT-.250" SA-455 2:1 S.E. (.214"MIN.)	66-HQ-3000-W	REV. 3-29-05
	RIGHT-.288" SA-455 2:1 S.E. (.253"MIN.)		DATE: 1-18-95
	FOR: HANSON STANDARD		
	HORIZ. AIR TANK		
SHELL	.250" SA-455	INSIDE: UNPAINTED	
	M.A.W.P. 137 PSIG. @ 400 °F	OUTSIDE: PRIME	
	M.D.M.T. -20 °F @ 137 PSIG.	CAD-"B" UNDER "STD"-SERIES	
	ASME. SECTION VIII DIV. 1, 2004 ADD. 2004	BY: J.G.	SCALE: 1/2"=12"
	X-RAY: RT-4 SPOT L.S. & LEFT HD. G.S.	ROY E. HANSON JR. MFG.	
	GALLONS: 3000 WT. 3940 LBS.	1924 COMPTON AVE. LOS ANGELES, CA 90011	
	SERIAL NO.		
	N.B.		