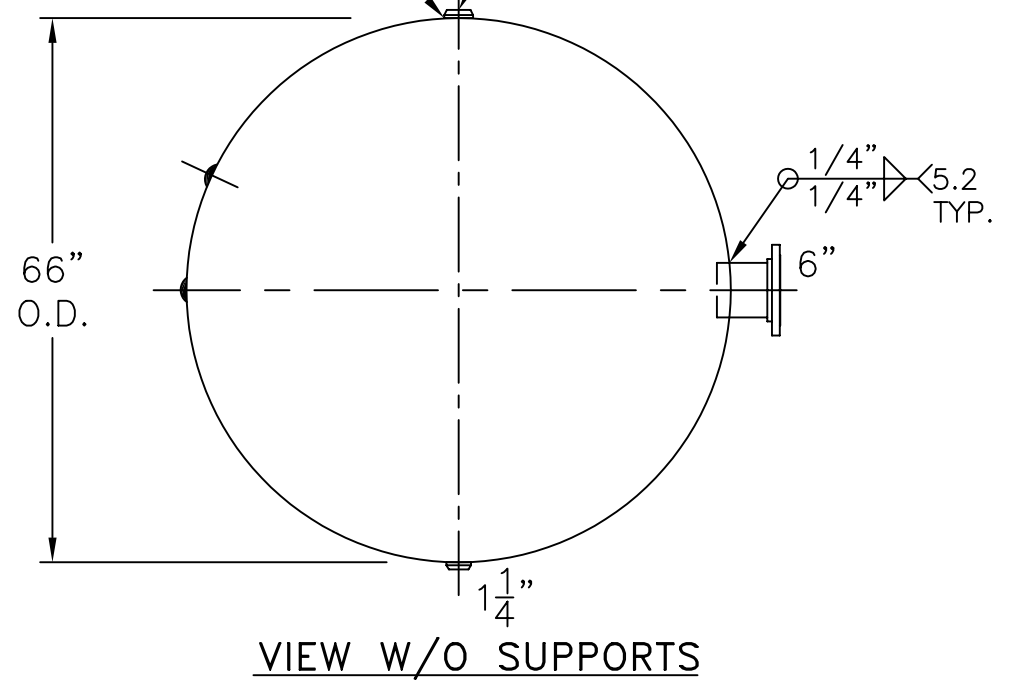


NOTE: 1) HYDRO @ 166 PSIG. MIN.



HEADS	.250" SA-455 2:1 S.E.	66-HG-3000-W	REV. 7-20-06
	(.196" MIN.) - LEFT		DATE: 4-15-02
	(.221" MIN.) - RIGHT		
SHELL	.248" SA-455	FOR: HANSON STANDARD	
		HORIZ. AIR TANK	
		INSIDE: UNPAINTED	
M.A.W.P. 125 PSIG. @ 400 °F		OUTSIDE: PRIME	
M.D.M.T. -20 °F @ 125 PSIG.		CAD-"B" UNDER "STD"-SERIES	
ASME. SECTION VIII DIV. 1, 2004 ADD. 2005		BY: E.S. SCALE: 1/2"=12"	
X-RAY: RT-4 SPOT L.S. & SPOT HDS. G.S.		<b>ROY E. HANSON JR. MFG.</b>	
GALLONS: 3000 WT. 3900 LBS.		1600 E. WASHINGTON BLVD.	
SERIAL NO.		LOS ANGELES, CA 90021	
N.B.			