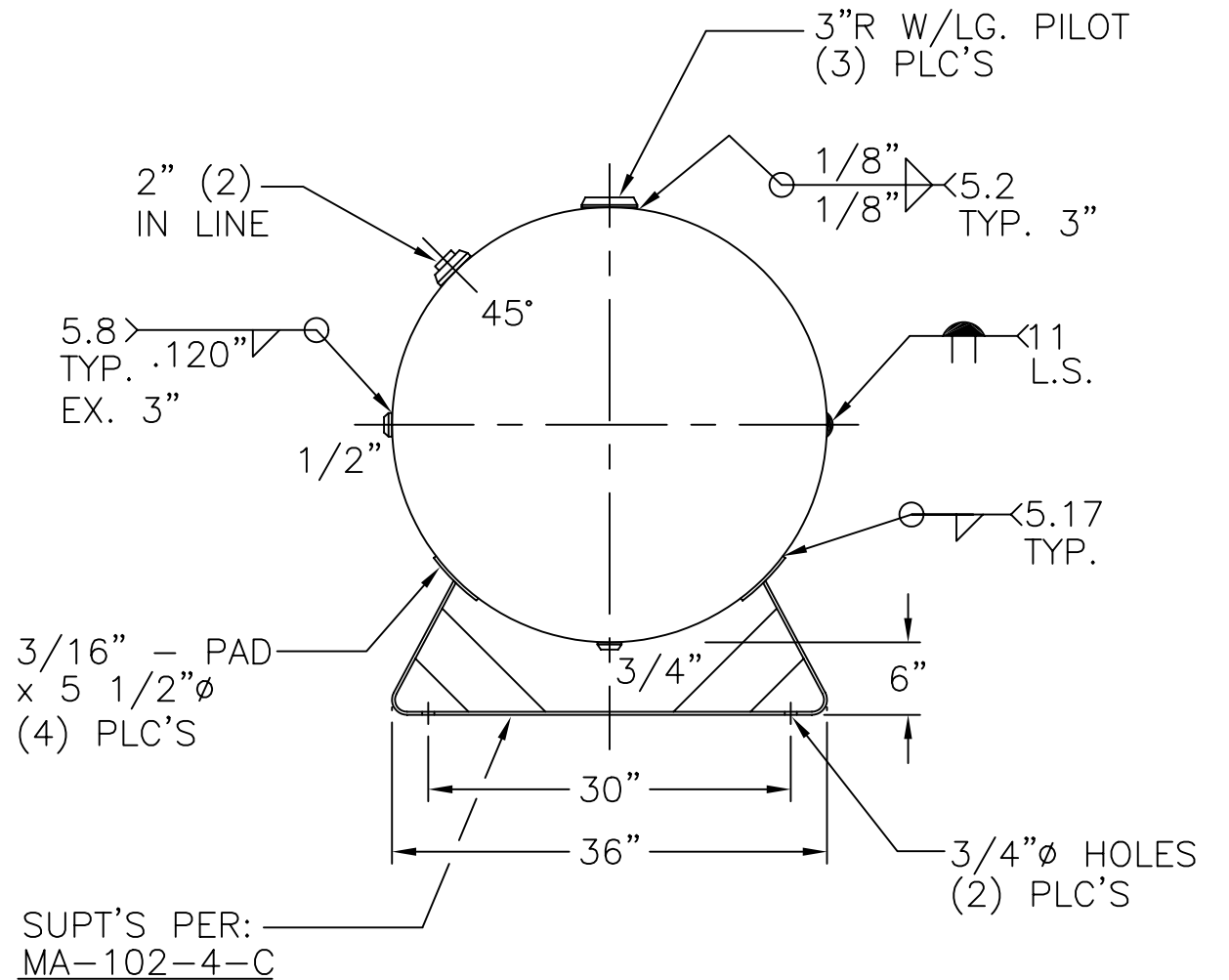


VIEW W/OUT SUPT'S



NOTE: 1) HYDRO @ 260 PSIG. MIN.

HEADS	.210" SA-455 2:1 S.E.	36-HA-400-W	REV. 11-12-02
	JOGGLE - .209 OFFSET		DATE: 10-5-81
SHELL	.200" SA-455	FOR: HANSON STANDARD	
		HORIZ. AIR TANK	
		INSIDE: UNPAINTED	
		OUTSIDE: PRIME	
		CAD-"B" SIZE UNDER "STD"-SERIES	
		BY: J.G.	SCALE: 3/4"=12"
		ROY E. HANSON JR. MFG.	
		1924 COMPTON AVE.	
		LOS ANGELES, CA 90011	

M.A.W.P.	200 PSIG.	@	400 °F
M.D.M.T.	-20 °F	@	200 PSIG.
ASME SECTION VIII DIV. 1, 2001			
X-RAY:	RT-4 SPOT L.S.		
GALLONS:	400	WT.	735 LBS.
SERIAL NO.			