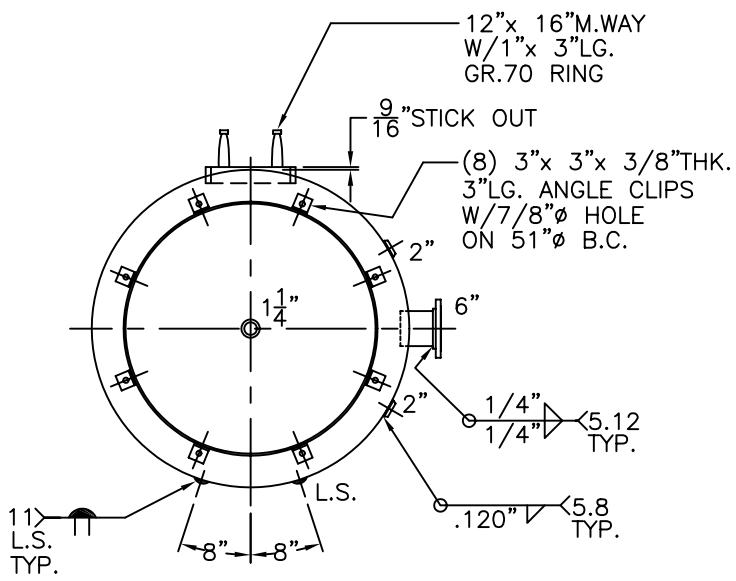
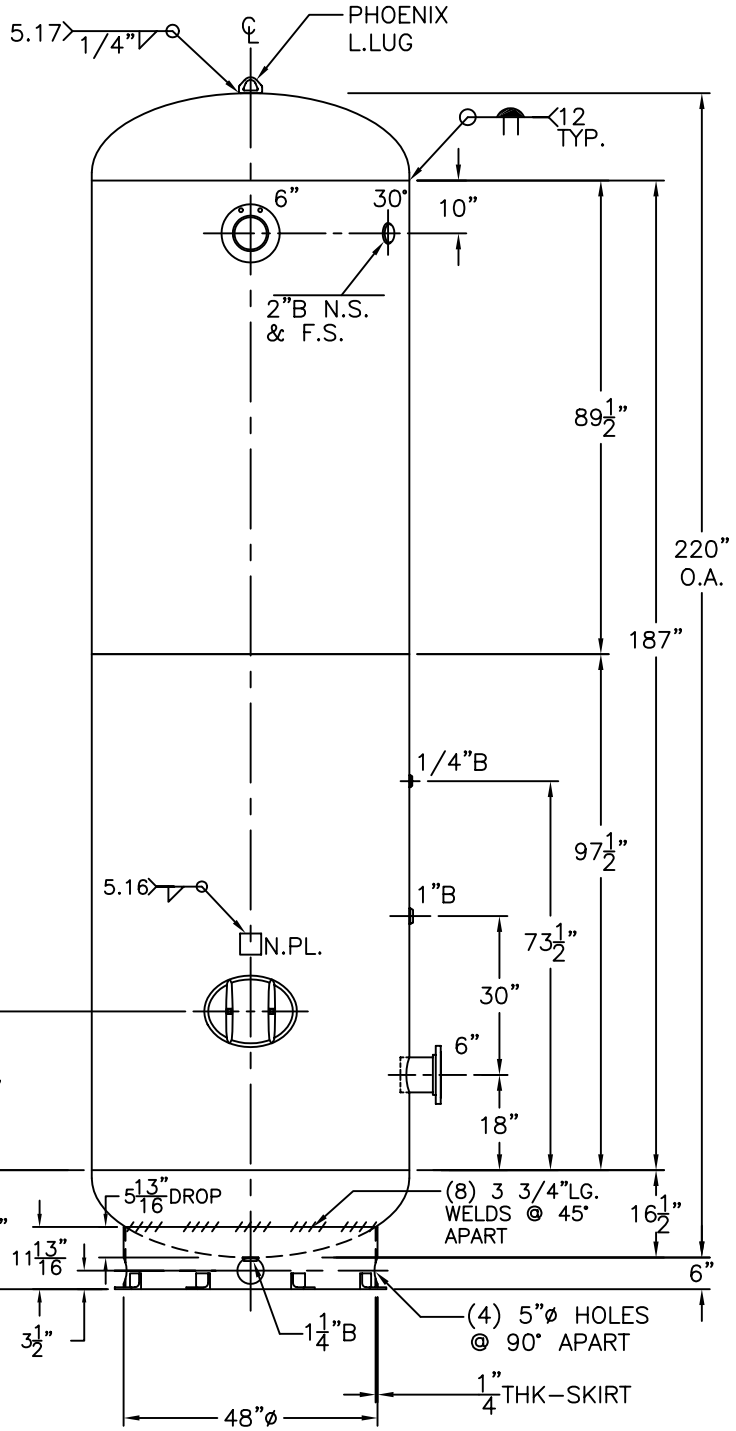


6"-150# R.F.S.O.
 FLG. W/SCH 80
 PIPE x 7 5/8"LG.
 (2) PLC'S



NOTE: 1) HYDRO @ 179 PSIG. MIN.

SHELL / HEADS	
.248" SA-455	2:1 S.E.
(.225" MIN.)	
.250" SA-455	
M.A.W.P.	137 PSIG. @ 400 °F
M.D.M.T.	-20 °F @ 137 PSIG.
ASME SECTION VIII	DIV. 1, 2001 ADD 2002
X-RAY: RT-4 SPOT L.S.	
GALLONS: 2520	WT. 3506 LBS.
SERIAL NO.	
N.B.	
60-VQ-2520-R	
FOR: HANSON STANDARD	REV. 12-6-02
VERT. AIR TANK	DATE: 2-2-99
INSIDE: UNPAINTED	
OUTSIDE: PRIME	
CAD "B" SIZE UNDER "STD"-SERIES	
BY: J.G.	SCALE: 1/2" = 12"
ROY E. HANSON JR. MFG.	
1924 COMPTON AVE.	
LOS ANGELES, CA 90011	