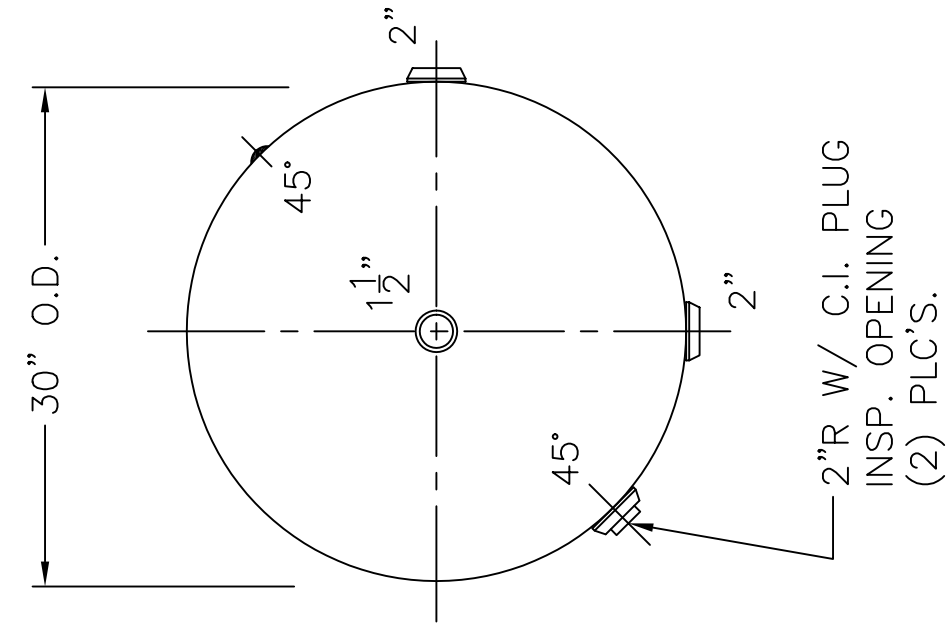
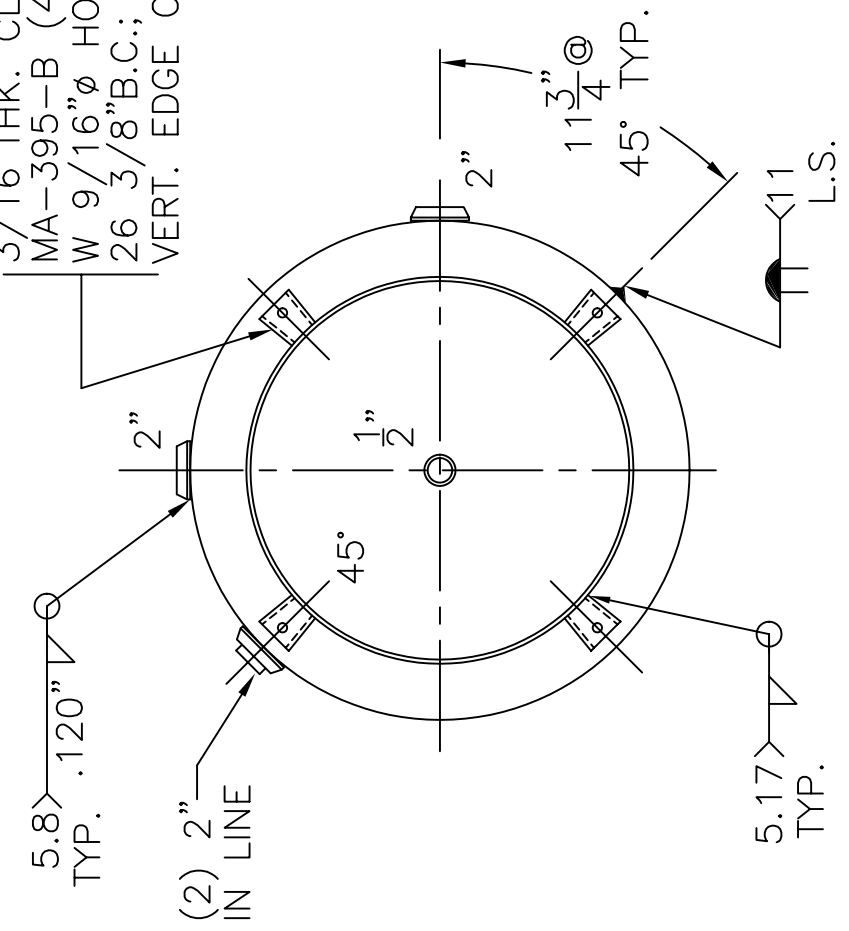


3/16" THK. CLIPS PER
 MA-395-B (4) PLC'S
 W 9/16" Ø HOLE ON
 26 3/8" B.C.; WELD OUTSIDE
 VERT. EDGE OF CLIP ONLY



NOTE: 1) HYDRO @ 392 PSIG. MIN.
 2) IMPACT TESTED? NO UG 20 (f)
 3) CRN - K5970.1

| | | | |
|--|-----------------------|---|-----------------|
| SHELL / HEADS | .218" SA-455 2:1 S.E. | 30-VD-240-R | REV. 9-26-06 |
| | JOGGLE - .249 OFFSET | | DATE: 12-2-86 |
| | | FOR: HANSON STANDARD | |
| | | VERT. AIR TANK | |
| | .250" SA-455 | | |
| | | INSIDE: UNPAINTED | |
| M.A.W.P. | 300 PSIG. @ 400 °F | | |
| M.D.M.T. | -20 °F @ 300 PSIG. | OUTSIDE: PRIME | |
| ASME. SECTION VIII DIV. 1, 2004 ADD 2005 | | | |
| X-RAY: RT-4 SPOT L.S. AND G.S. | | BY: J.G. | SCALE: 3/4"=12" |
| GALLONS: | 240 | WT. 637 LBS. | |
| SERIAL NO. | | ROY E. HANSON JR. MFG. | |
| N.B. | | 1600 E. WASHINGTON BLVD. LOS ANGELES, CA 90021 | |