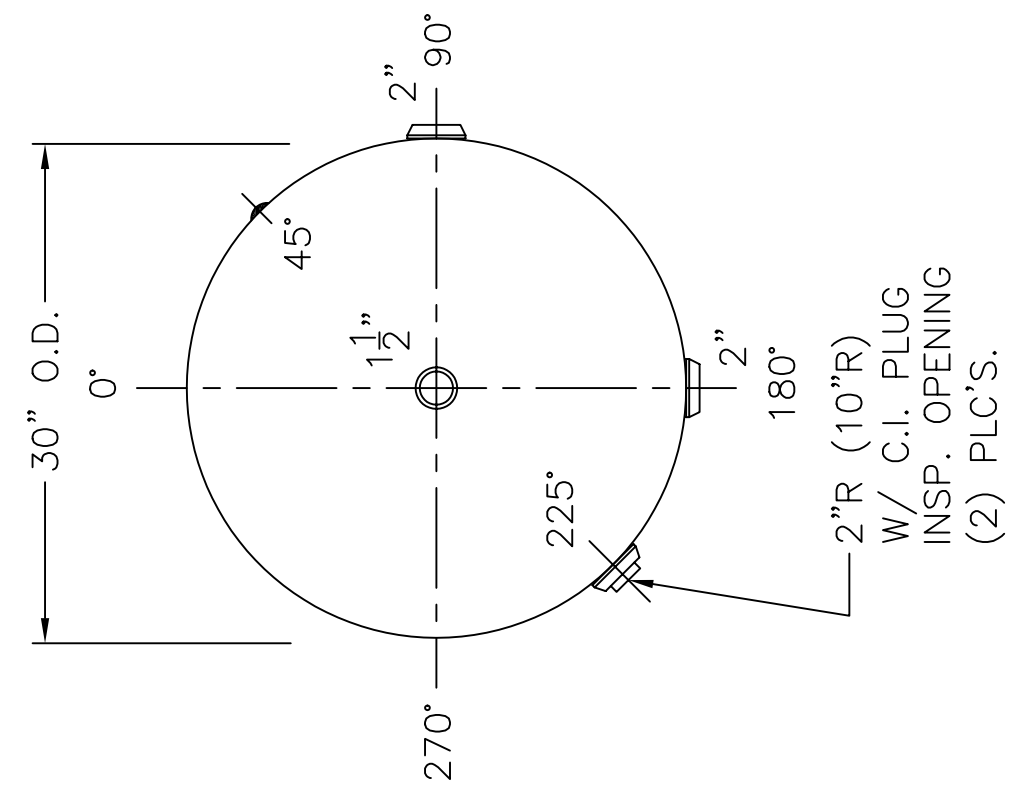
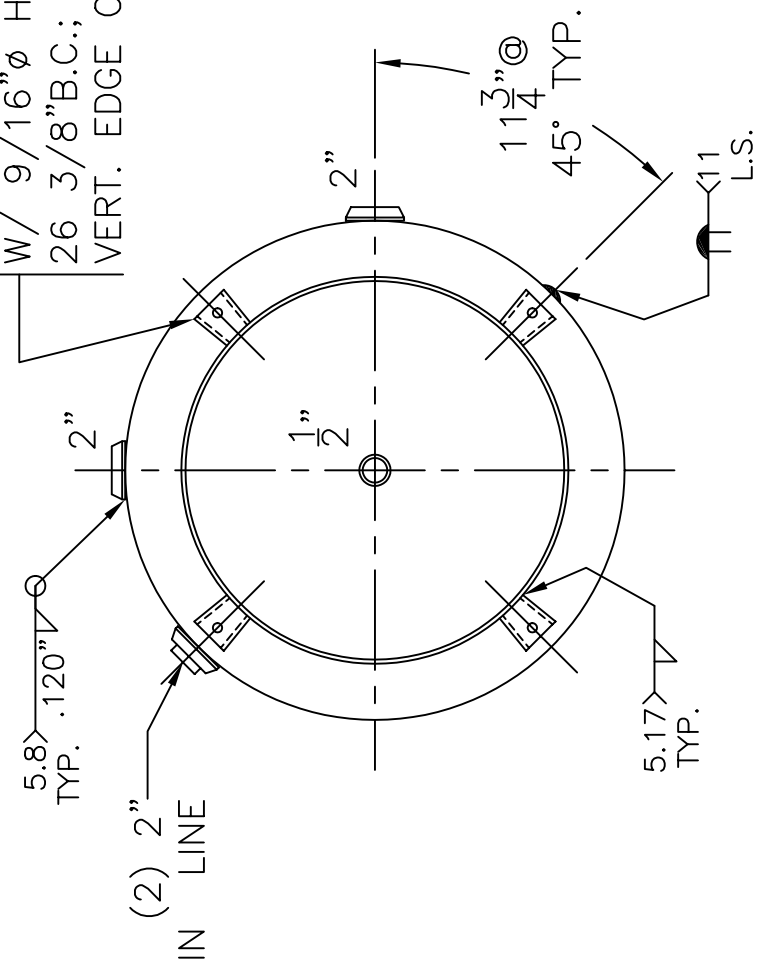


3/16" THK. CLIPS PER
 MA-395-B (4) PLC'S.
 W/ 9/16" Ø HOLE ON
 26 3/8" B.C.; WELD OUTSIDE
 VERT. EDGE OF CLIP ONLY



NOTE: 1) HYDRO @ 262 PSIG. MIN.

SHELL / HEADS	.166" SA-414-G 2:1 S.E.	30-VA-240-R	REV. 6-4-07
	(.164" MIN.) JOGGLE		DATE: 12-2-86
	.149" OFFSET	FOR: HANSON STANDARD	
	.165" SA-414-G	VERT. AIR TANK	
		INSIDE: UNPAINTED	
M.A.W.P.	200 PSIG. @ 400 °F	OUTSIDE: PRIME	
M.D.M.T.	-20 °F @ 200 PSIG.	BY: E.S. SCALE: 3/4"=12"	
ASME. SECTION VIII DIV. 1, 2004 ADD 2006		ROY E. HANSON JR. MFG. 1600 E. WASHINGTON BLVD. LOS ANGELES, CA 90021	
X-RAY: RT-4 SPOT L.S.			
GALLONS:	240		
SERIAL NO.			
N.B.			