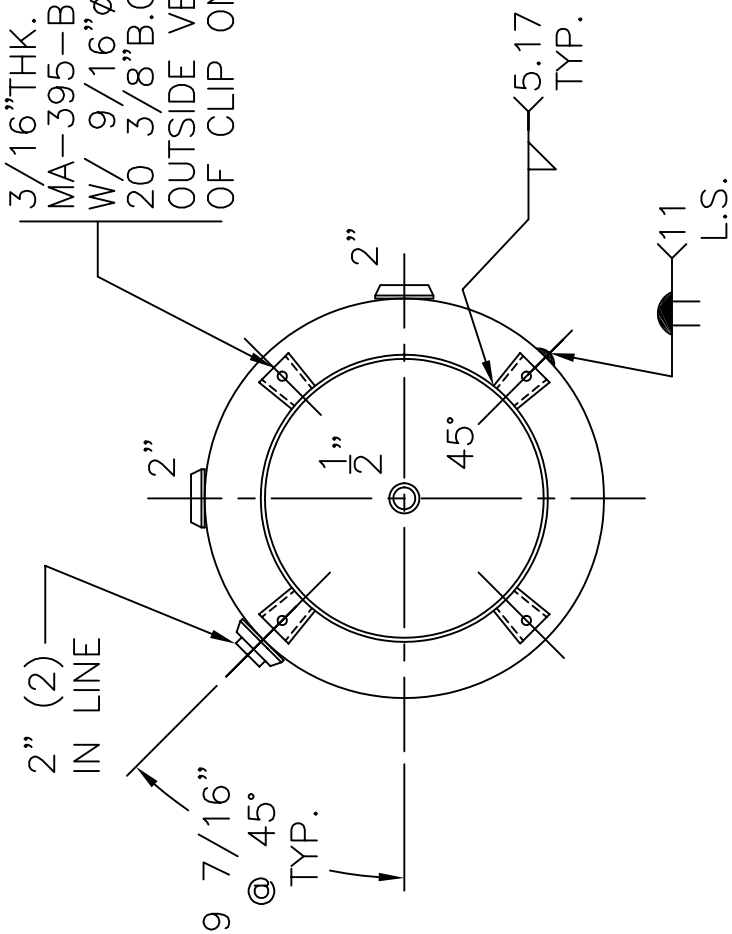


3/16" THK. CLIPS PER  
MA-395-B (4) PLC'S  
W/ 9/16" Ø HOLE ON  
OUTSIDE VERT. EDGE  
OF CLIP ONLY



NOTE: 1) HYDRO @ 392 PSIG. MIN.

SHELL / HEADS	.195" SA-455 2.1: S.E. (.208" OFFSET)	24-VD-120-R	REV. 8-17-06
			DATE: 1-27-89
		FOR: HANSON STANDARD VERT. AIR TANK	
	.200" SA-455		
		INSIDE: UNPAINTED	
M.A.W.P.	300 PSIG. @ 400 °F		
M.D.M.T.	-20 °F @ 300 PSIG.	OUTSIDE: PRIME	
ASME. SECTION VIII DIV. 1, 2004 ADD 2005			
X-RAY: RT-4 SPOT L.S. & G.S.		BY: E.S.	SCALE: 3/4"=12"
GALLONS:	120	WT.	344 LBS.
SERIAL NO.		<b>ROY E. HANSON JR. MFG.</b>	
N.B.		1600 E. WASHINGTON BLVD. LOS ANGELES, CA 90021	