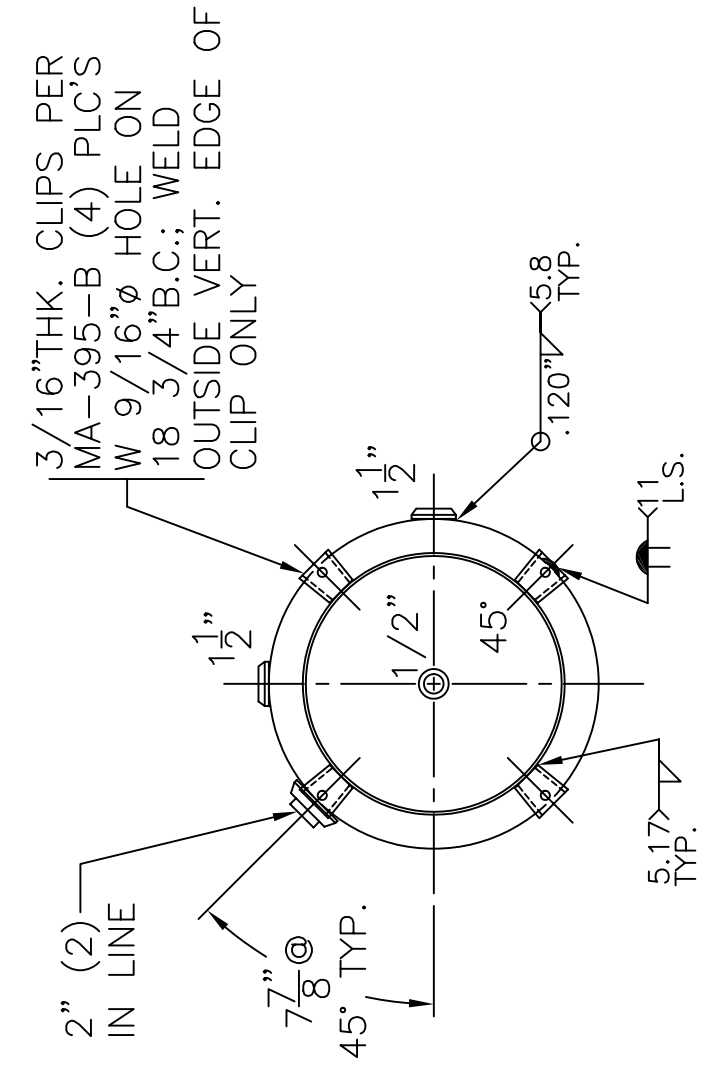
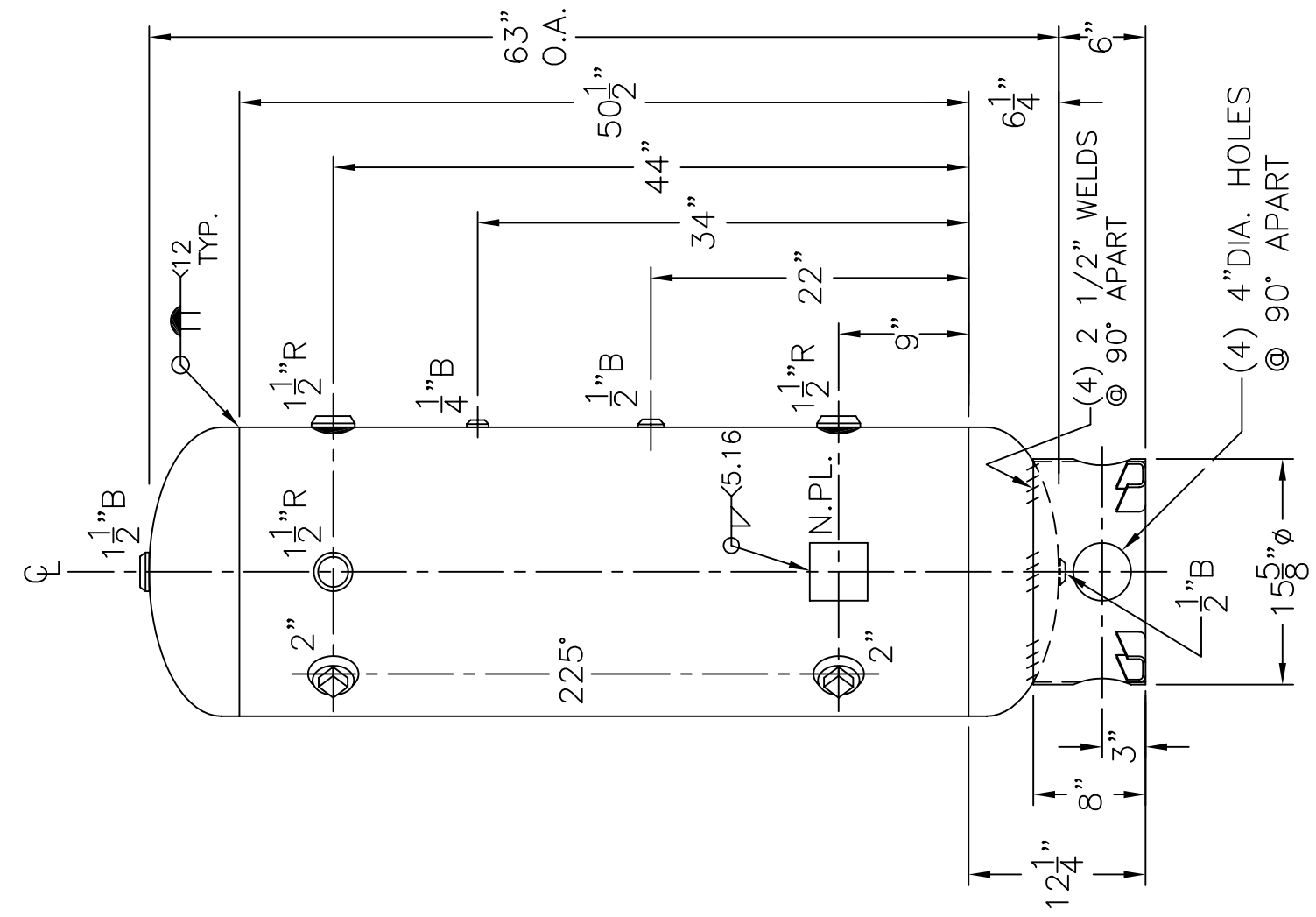


2" R W/C.I. PLUG  
INSP. OPENING  
(2) PLC'S



NOTE: 1) HYDRO @ 327 PSIG. MIN.

HEADS	.135" SA-414-G 2:1 S.E.	20-VC-80-R	REV. 2-15-08
	JOGGLE		DATE: 1-20-03
SHELL	.166" SA-414-G	FOR: HANSON STANDARD VERT. AIR TANK	
		INSIDE: UNPAINTED	
M.A.W.P.	250 PSIG. @ 400 °F	OUTSIDE: PRIME	
M.D.M.T.	-20 °F @ 250 PSIG.	CAD "B" SIZE UNDER "STD"-SERIES	
ASME. SECTION VIII	DIV. 1, 2007 ADD 2007	BY: J.G.	SCALE: 1"=12"
X-RAY:	RT-4 SPOT G.S. ONLY NOT L.S.	<b>ROY E. HANSON JR. MFG.</b>	
GALLONS:	80	WT. 216 LBS.	1600 E. WASHINGTON BLVD. LOS ANGELES, CA 90021
SERIAL NO.			
N.B.			